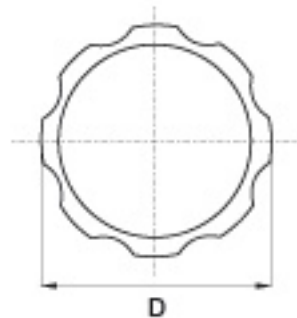
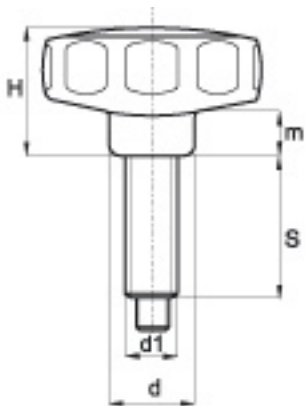


## Fixing and blocking handles



Standardmaterial: Polyamid

Gewinde: Stahl verzinkt, umspritzt

Sondergewindeeinsätze auf Anfrage

Farbe: schwarz / RAL- oder Sonderfarben auf Anfrage

Locking and clamping

Bäcker indexing and clamping handles enable adjustment elements to be rapidly and precisely positioned, secured and clamped at the same time.

These handles are especially suitable for telescopic adjustments and similar applications.

Article No.	D	H	d	M	d1	S
36.0017.025080010	25	20	12	8	M8x1	10
36.0017.025100013	25	20	12	8	M10x1	13
36.0017.025120017	25	20	12	8	M12x1,5	17
36.0017.035100015	35	27	17	10	M10x1	15
36.0017.055100015	55	32	25	12	M10x1	15
36.0017.055120020	55	32	25	12	M12x1,5	20
36.0017.055160027	55	32	25	12	M16x1,5	27
36.0017.065160022	65	40	30	14	M16x1,5	22